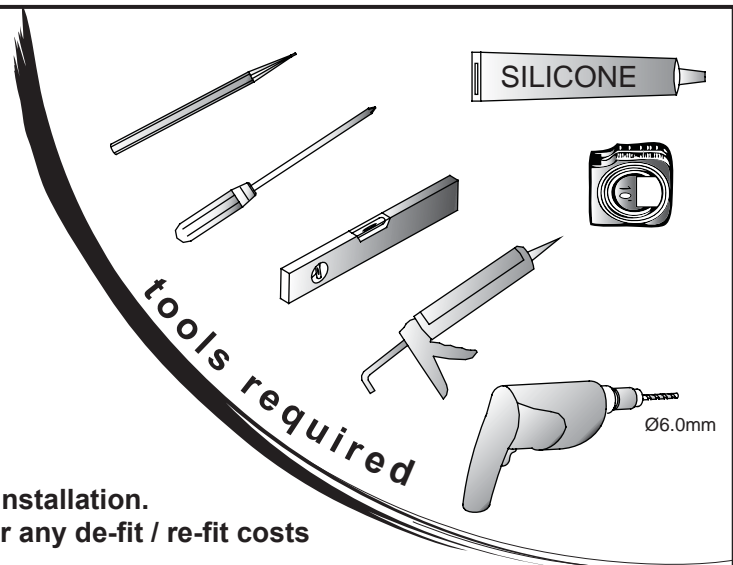




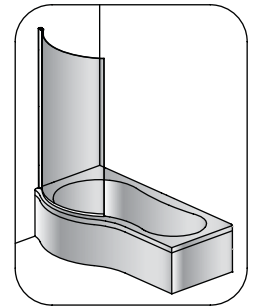
INSTRUCTION

Shower Bath

Curved Screen

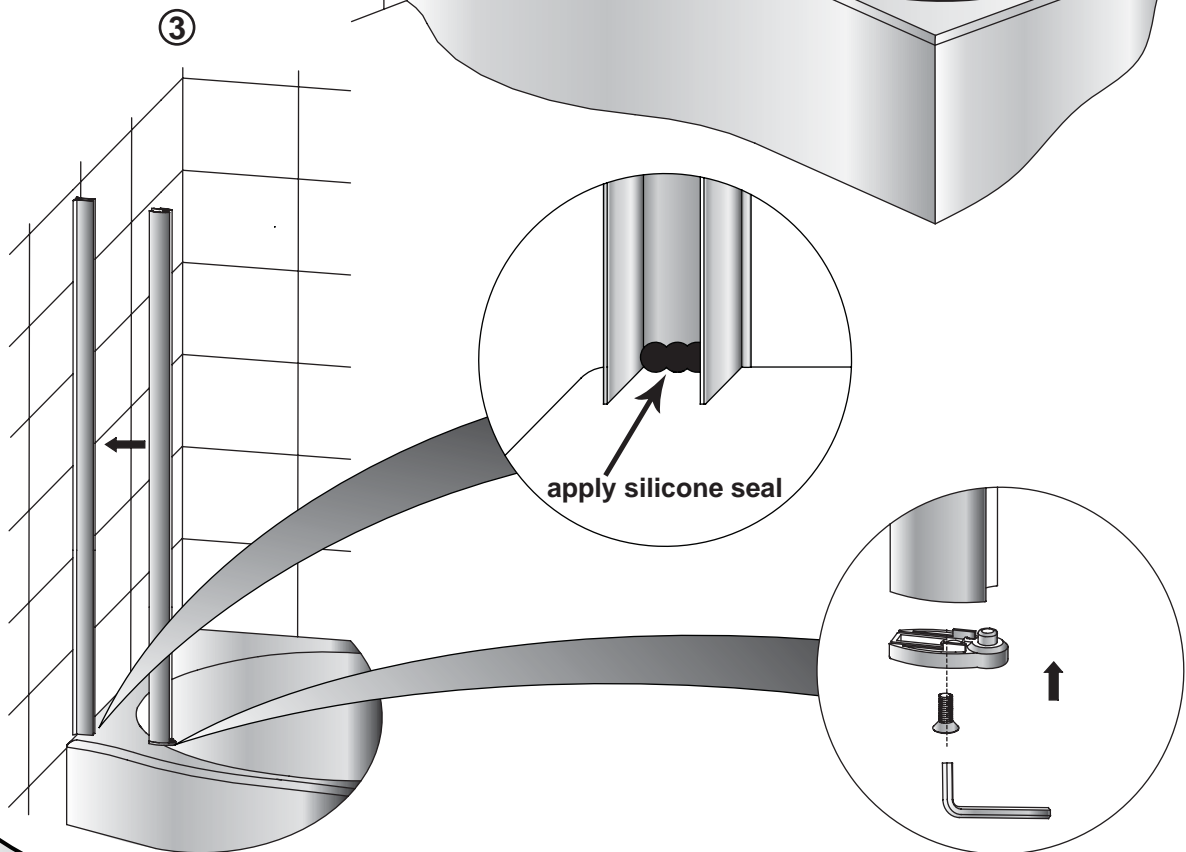
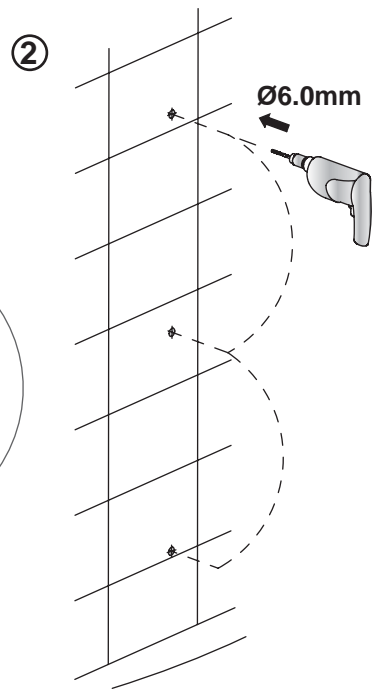
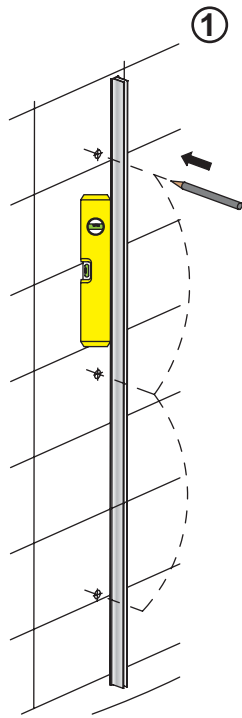


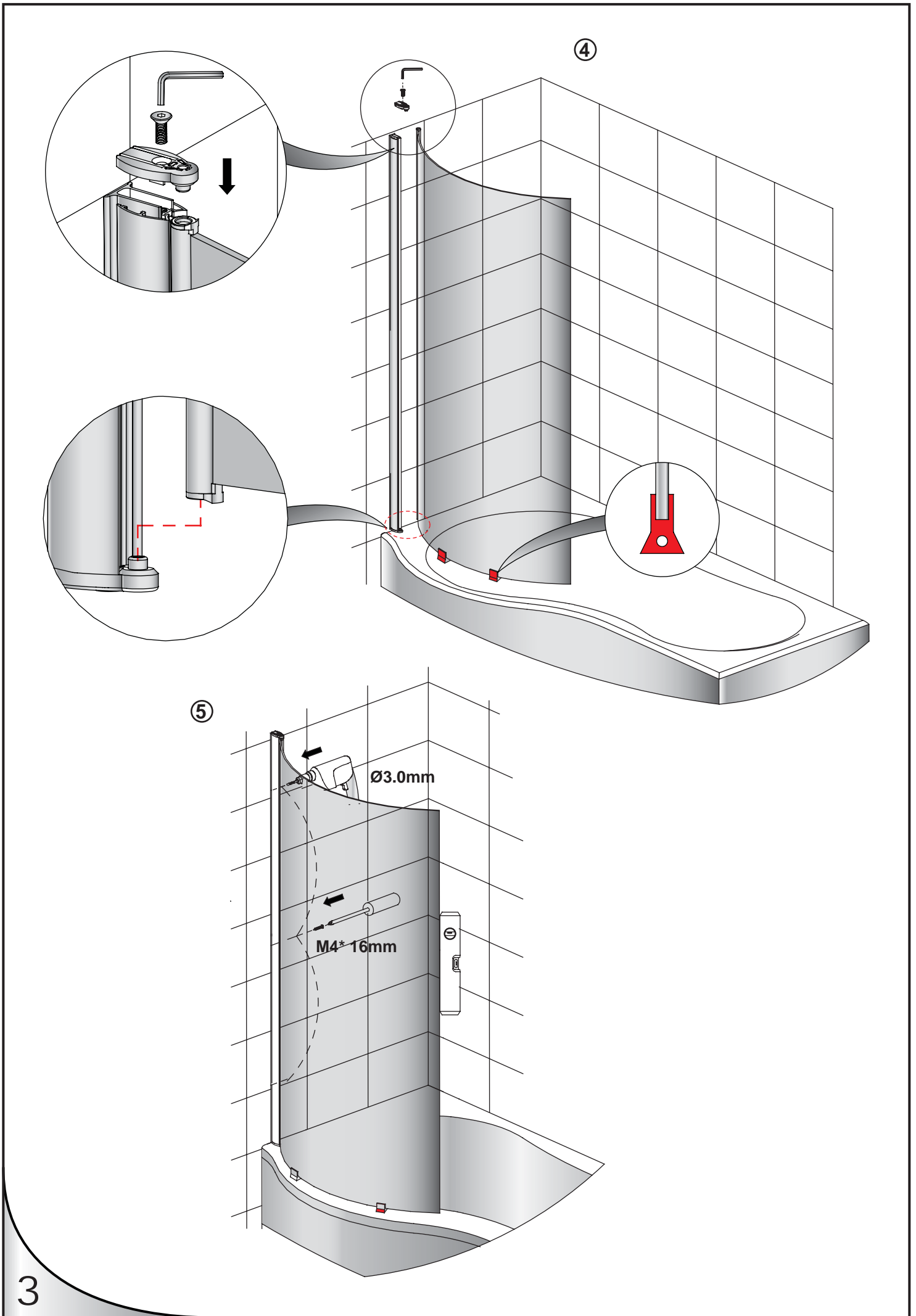
- Check the contents of the pack carefully before installation. The manufacturer will not be held responsible for any de-fit / re-fit costs where faulty product has been fitted.
- Make sure there are no hidden pipes or cables in the wall where you intend to drill.
- Handle glass with care. Although the glass supplied is toughened safety glass (AS/NZS 2208:1996), impacts can damage both the glass and the frame.
- Ensure that the bath has been installed by a suitably qualified person. The bath should be level and the walls should be tiled down to the bath and horizontal gap between the tiles and bath must be sealed with silicone sealant to ensure water-tightness.
- Follow each step in turn.

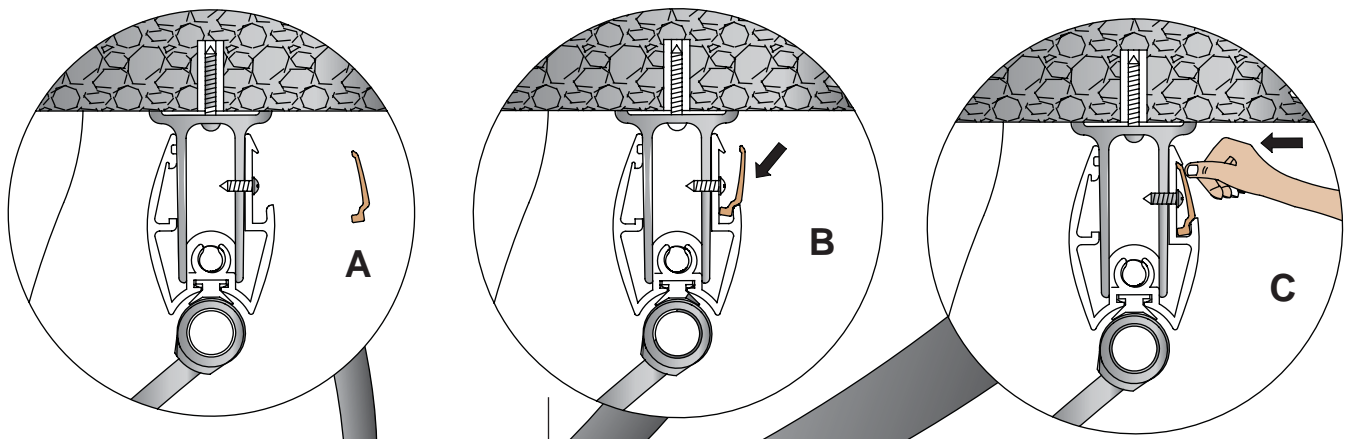


parts supplied:

<p>001</p> <p>1x</p>	<p>002 003 004</p> <p>1x</p> <p>2x</p> <p>2x</p> <p>M6* 16mm</p>	<p>005</p> <p>1x</p>	<p>006</p> <p>1x</p> <p>007</p> <p>1x</p>	<p>008</p> <p>3x</p> <p>009</p> <p>3x</p> <p>M4* 40mm</p> <p>010</p> <p>3x</p> <p>M4* 16mm</p> <p>011</p> <p>1x</p> <p>4.0mm</p> <p>012</p> <p>1x</p> <p>Ø3.0mm</p> <p>013</p> <p>2x</p>
----------------------	--	----------------------	---	--







⑥

