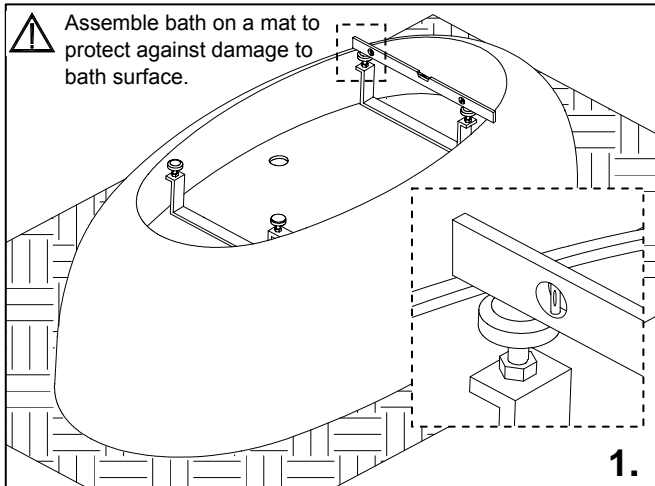
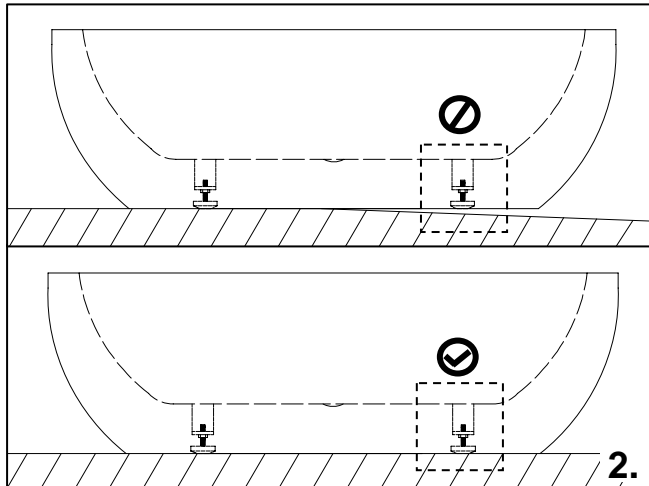


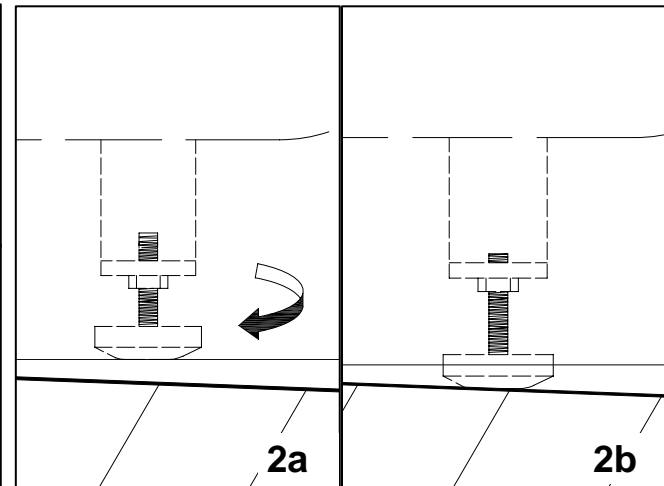
JADA BATH - INSTALLATION



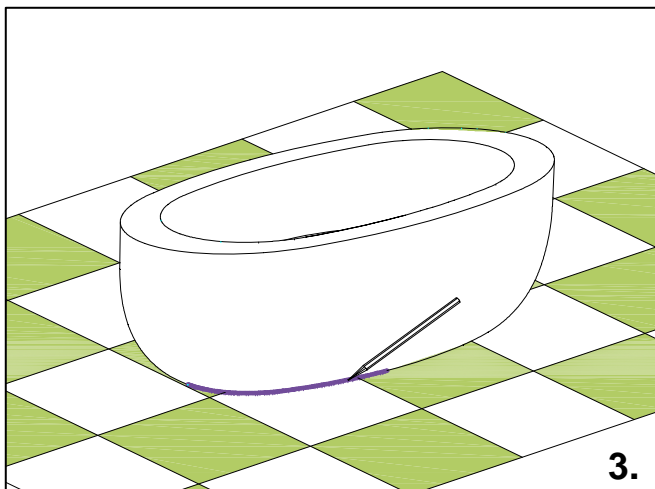
- Ensure legs are adjusted in line with the base of bath.



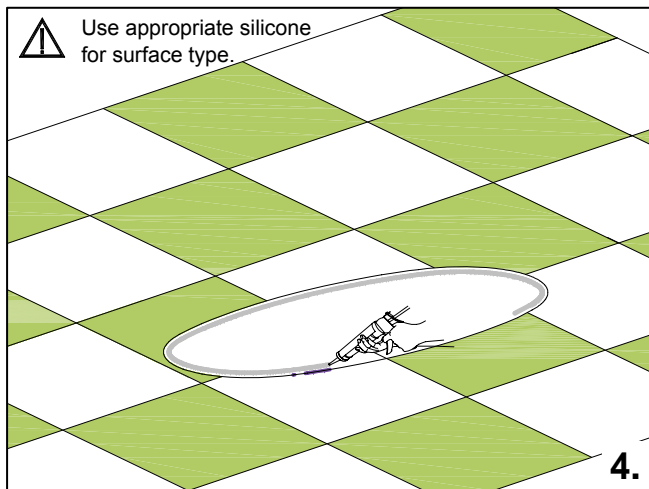
- Check that bath sits flat; if required adjust legs to compensate for floor level.



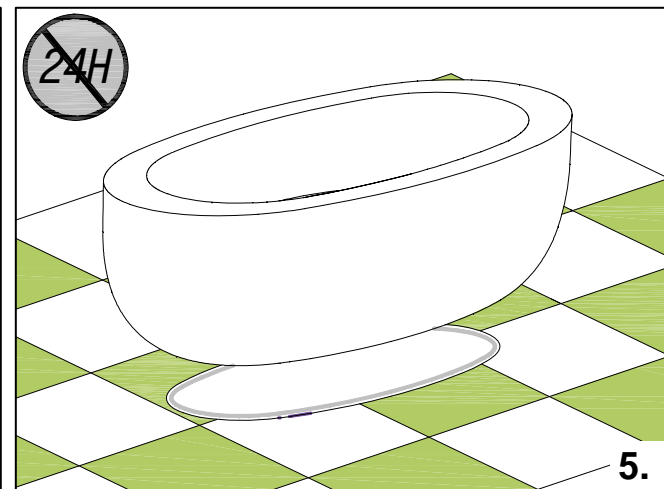
- Before step 3 set waste connection in position.



- With pencil trace outline of bath.



- Apply a thick bead of silicone within bath outline.



- Set bath in final position.

⚠ This installation guide does not include details of waste connection; final decision about installation of waste connection should be taken by a suitably qualified person.

VICTORIA
(03) 9768 3577

NEW SOUTH WALES
(02) 9604 1620

SOUTH AUSTRALIA
(08) 8374 0877

NORTHERN TERRITORY
(08) 8947 0019

QUEENSLAND
(07) 3208 9199

WESTERN AUSTRALIA
(08) 9209 2299

NORTH QUEENSLAND
(07) 3208 9199

TASMANIA
(03) 6275 2600

JADA BATH - INSTALLATION

Suggested Skirted Bath Install Method
Other methods may be adopted pending type of installation

