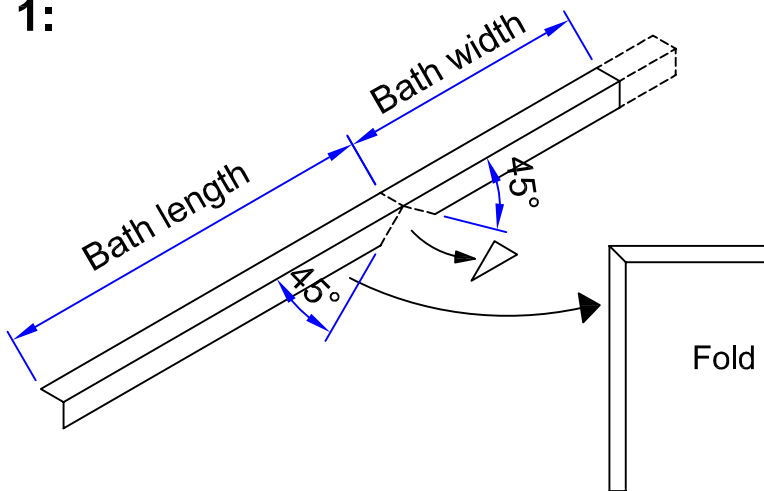


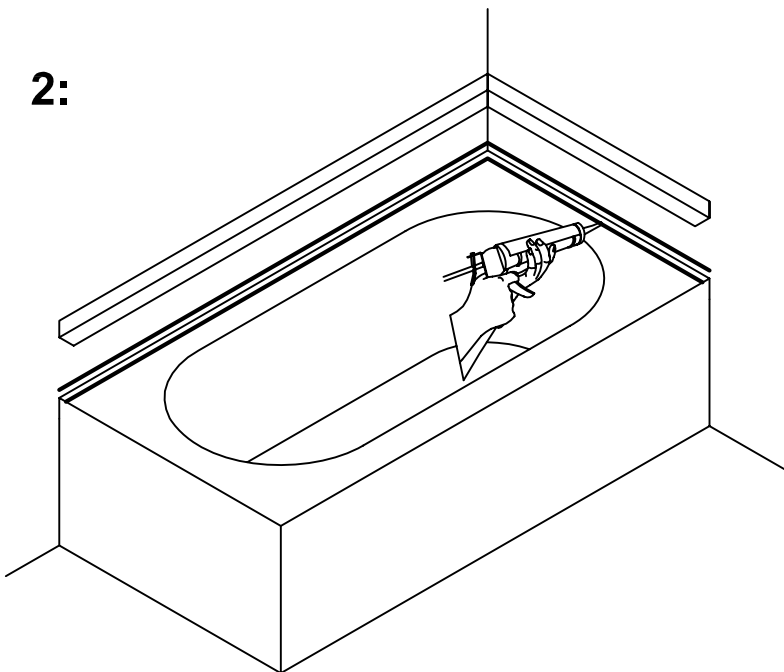
1:



Putting in the 90 degree angle.

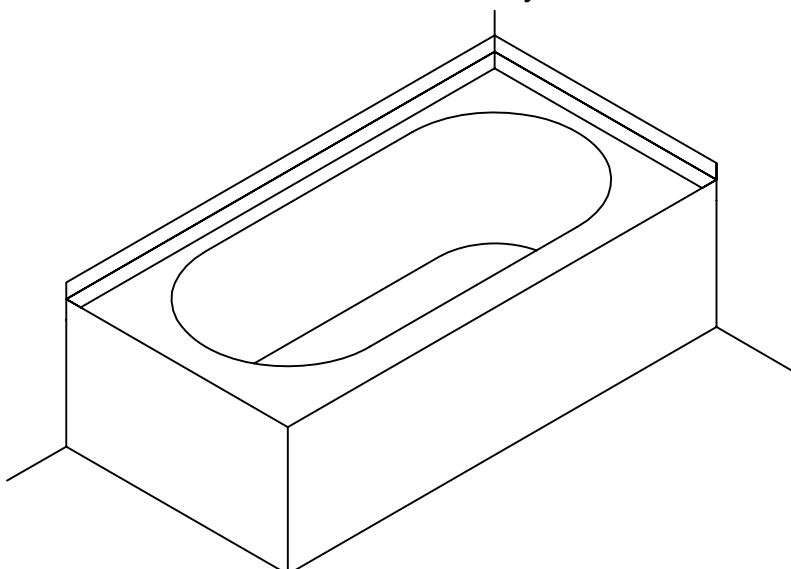
Work out where you need the strip to be cut following the bath size. i.e. for a 1700 x 820 tray, make 2 x 45 degree cuts at the 1700mm point. At the 2520mm point (1700mm + 820mm) cut away the excess section.

2:



Place a line bead of antifungal silicone on the edge of the bath and wall.

3: Press the PVC strip to wall and bath, and allow 24 HR to dry.



4:

