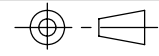
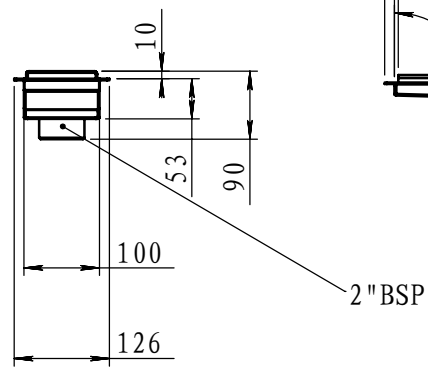
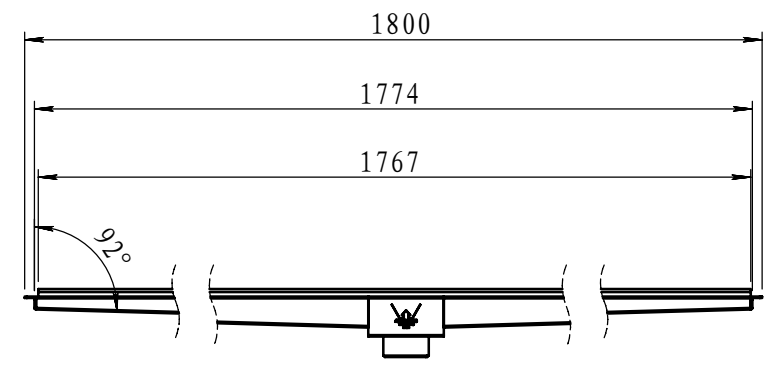
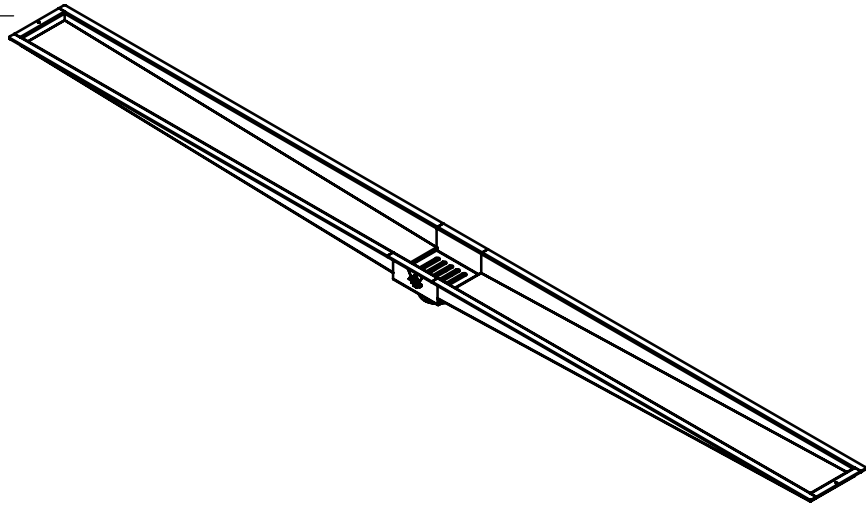
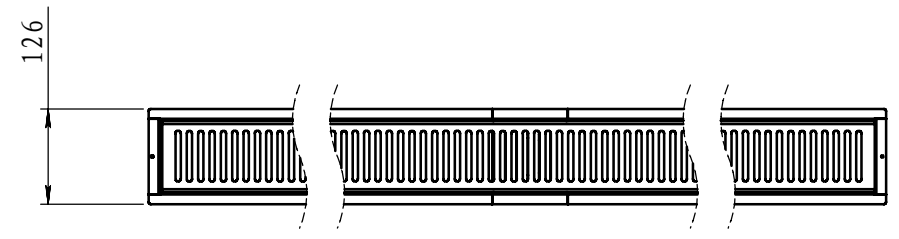
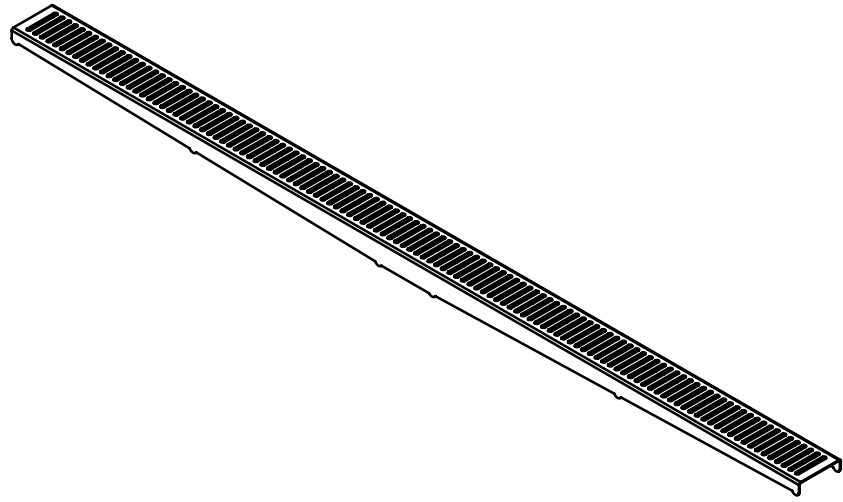


REV No.	REVISION NOTE	DATE



TOLERANCES TYP.
 LINEAR +/- 0.5mm
 ANGULAR +/- 0.5°
 ALL DIMENSIONS IN MILLIMETRES
 UNLESS NOTED OTHERWISE.
 DO NOT SCALE FOR CONSTRUCTION
 PURPOSES.



11 LILCOLA CRESCENT DANDENONG SOUTH, VIC3175
 Tel:(03)9768 3577 Fax:(03)9768 3666
 WEB: www.lanark.com.au

DESIGNED	LUCKY	DATE	2010-10-29
DRAWN	LUCKY	SHEET SIZE	A4
CHECKED	JINF	SCALE	1:10

SHOWER CHANNEL 1800

THIS DRAWING IS COPYRIGHT. NO PART OF THIS DRAWING MAY BE REPRODUCED WITHOUT WRITTEN PERMISSION OF THE AUTHOR.	PROJECT No.	SC-1800	SHEET No.	1 OF 1	REVISION
--	-------------	---------	-----------	--------	----------