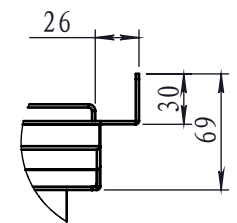
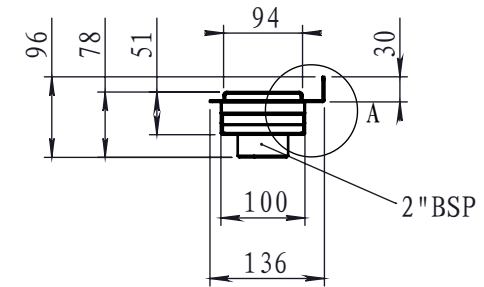
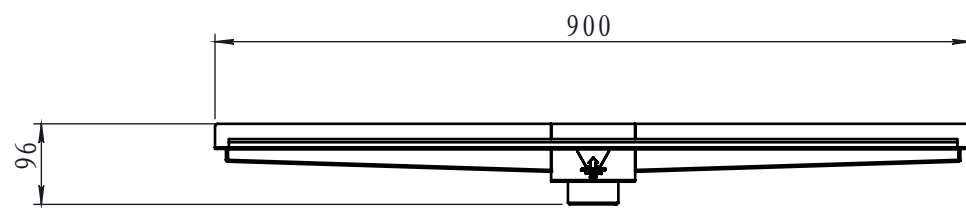
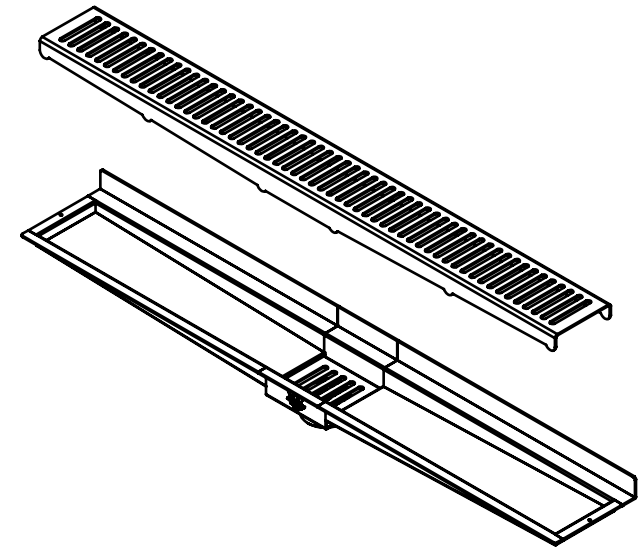
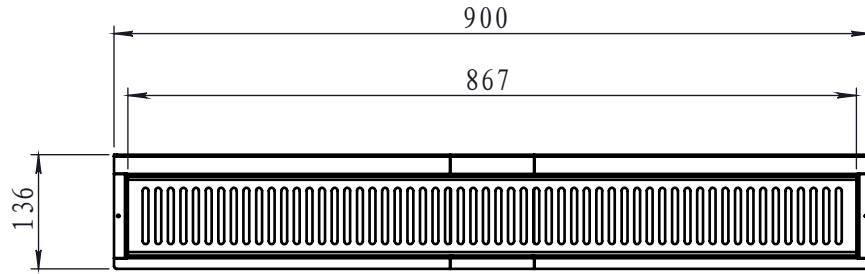


1 2 3 4 5 6

REV No.	REVISION NOTE	DATE



DETAIL A
DETAIL 2 : 9



TOLERANCES TYP.
 LINEAR +/- 0.5mm
 ANGULAR +/- 0.5°
 ALL DIMENSIONS IN MILLIMETRES
 UNLESS NOTED OTHERWISE.
 DO NOT SCALE FOR CONSTRUCTION
 PURPOSES.



11 LINDA CRESCENT DANMONING SOUTH VIC 3175
 Tel: (03) 9768 3577 Fax: (03) 9768 3636
 Web: www.lanark.com.au

DESIGNED LUCKY	DATE 2010-11-5
DRAWN LUCKY	SHEET SIZE A4
CHECKED JINF	SCALE 1:9

SHOWER CHANNEL 900 DB

THIS DRAWING IS COPYRIGHT. NO PART OF THIS DRAWING MAY BE REPRODUCED WITHOUT WRITTEN PERMISSION OF THE AUTHOR.	PROJECT No. SC-900-DB-01	SHEET No. 1 OF 1	REVISION
--	-----------------------------	---------------------	----------

1 2 3 4 5 6

A
B
C
D

A
B
C
D