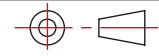
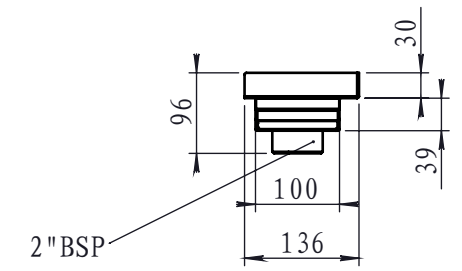
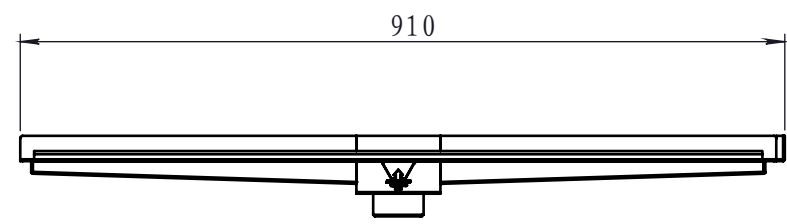
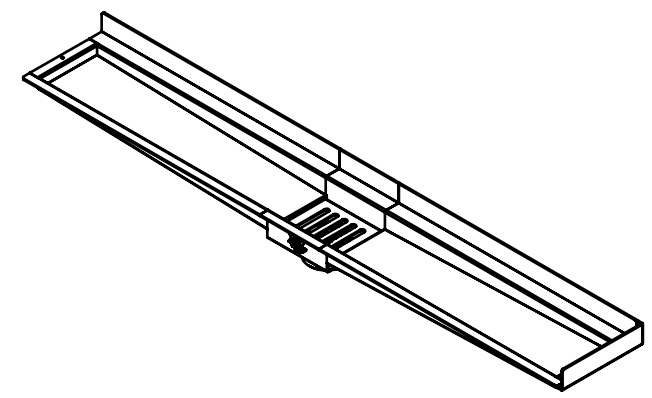
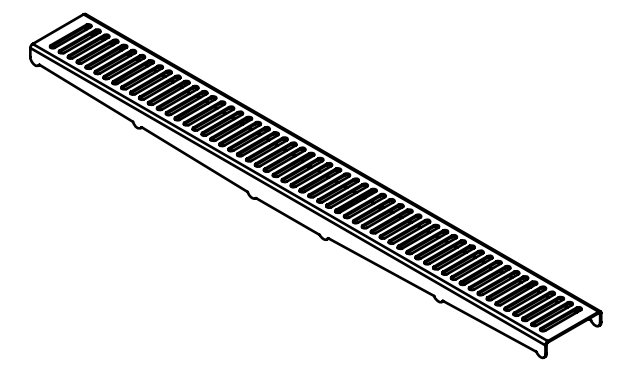
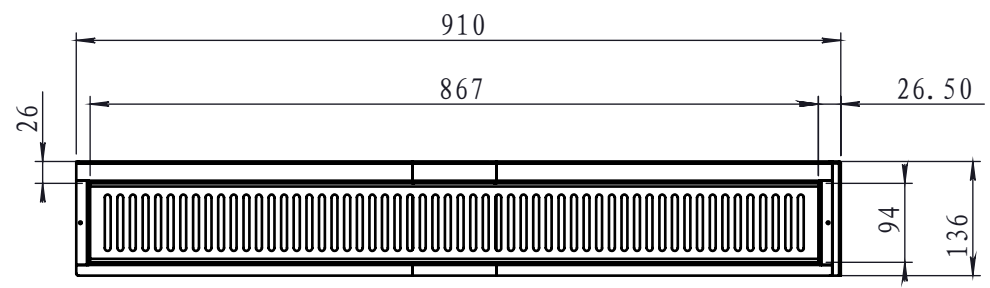


REV No.	REVISION NOTE	DATE



**TOLERANCES TYP.**  
 LINEAR +/- 0.5mm  
 ANGULAR +/- 0.5°  
 ALL DIMENSIONS IN MILLIMETRES  
 UNLESS NOTED OTHERWISE.  
 DO NOT SCALE FOR CONSTRUCTION  
 PURPOSES.



11 LUCOLA CRESCENT DANDENONG SOUTH VIC3175  
 Tel:(03)9748 3577 Fax:(03)9748 3606  
 Web: www.lanark.com.au

DESIGNED LUCKY	DATE 2010-11-5
DRAWN LUCKY	SHEET SIZE A4
CHECKED JINF	SCALE 1:9

SHOWER CHANNEL 900DBR		PROJECT No.	SHEET No.	REVISION
		SC-900-DB-R	1 OF 1	

THIS DRAWING IS COPYRIGHT. NO PART OF THIS DRAWING MAY BE REPRODUCED WITHOUT WRITTEN PERMISSION OF THE AUTHOR.