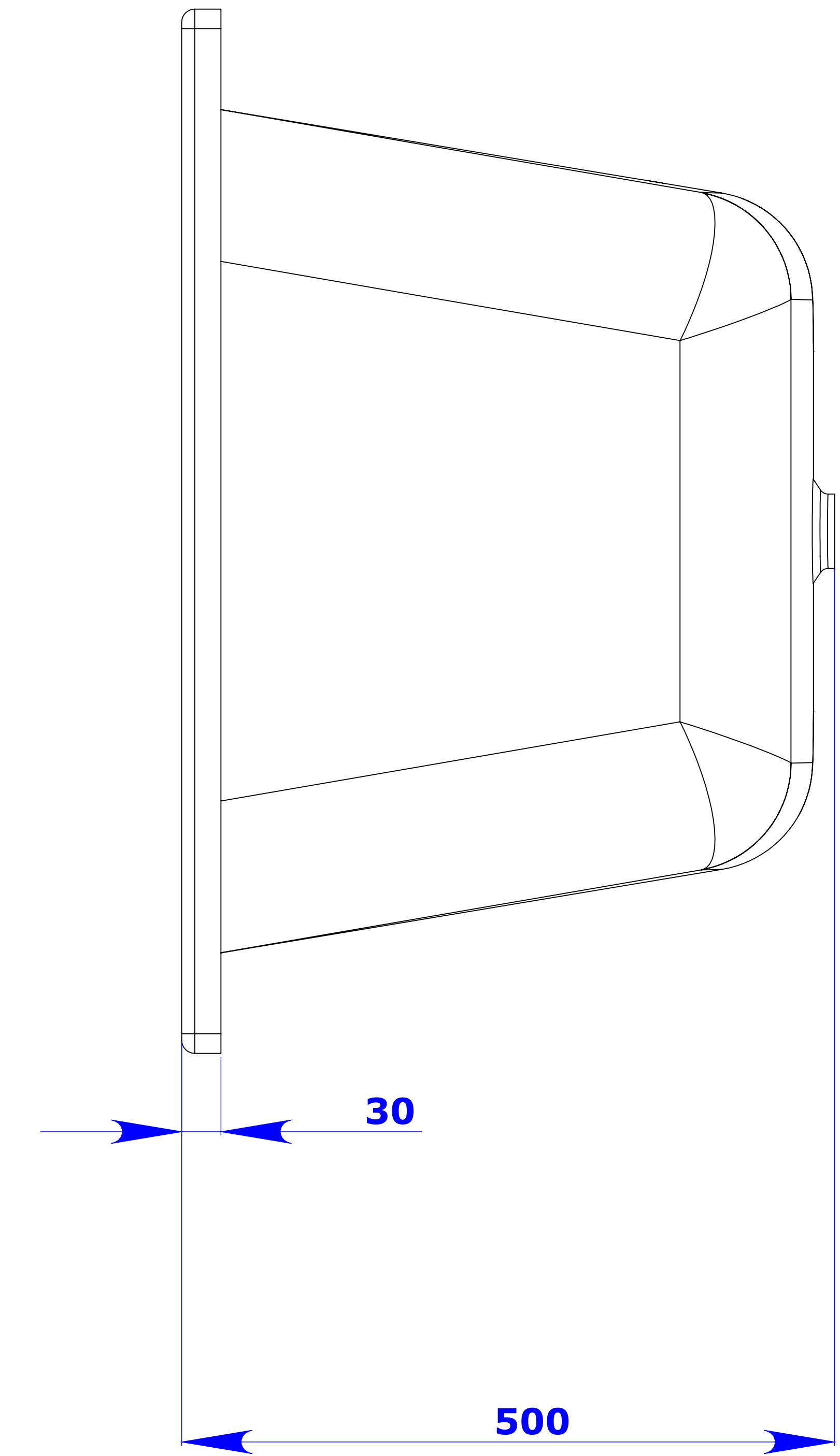
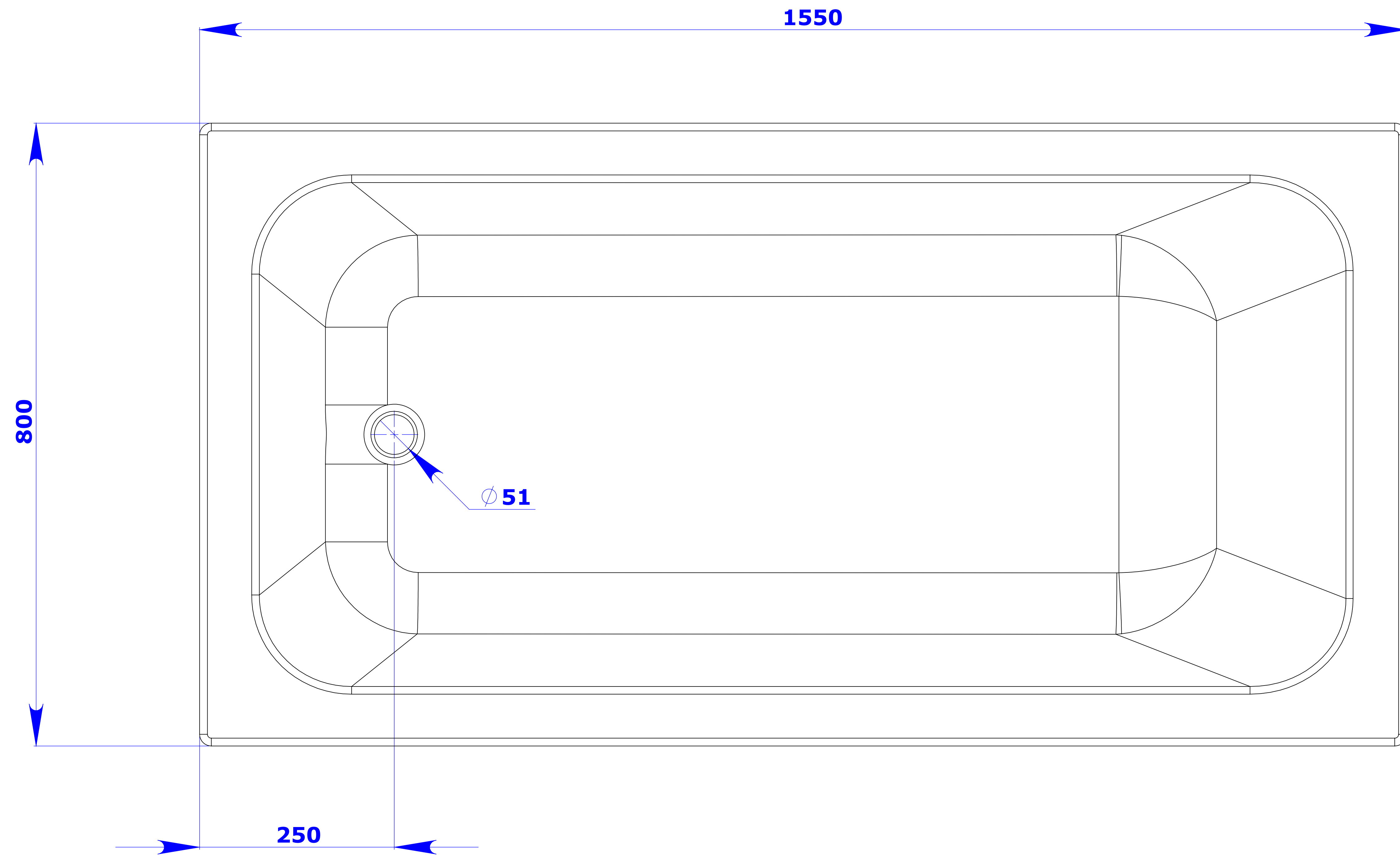


REV.	DESCRIPTION	DATE	APPROVED
REVISION TABLE			



PRELIMINARY ISSUE - NOT FOR MANUFACTURE

APPROVED FOR	SIGNED	DATE
QUOTATION		
MATL ORDER		
MANUFACTURE		
REWORK		

#	NOTES	PROJECT	CLIENT																								
1		<p>VICTORIA - HEAD OFFICE Ph: (03) 9768 2077 Fax: (03) 9768 3036 Email: vcs@lanark.com.au</p> <p>BATHROOMWARE SPAS & HOT TUBS</p> <p>Design by View7</p>	<table border="1"> <tr> <td>3RD ANGLE</td> <td>DEBUR AND BEVEL MARK</td> <td>CUSTOMER</td> </tr> <tr> <td>GENERAL TOLERANCE +/- 0.5mm U.O.S.</td> <td>SIGNATURE</td> <td>DATE</td> </tr> <tr> <td>DRAWN</td> <td>VIEW7</td> <td>20/06/2009</td> </tr> <tr> <td>CHK'D</td> <td></td> <td></td> </tr> <tr> <td>APP'D</td> <td></td> <td></td> </tr> <tr> <td>WFGHRT</td> <td></td> <td></td> </tr> <tr> <td>DESIGN/REV</td> <td></td> <td></td> </tr> <tr> <td>V77</td> <td></td> <td></td> </tr> </table>	3RD ANGLE	DEBUR AND BEVEL MARK	CUSTOMER	GENERAL TOLERANCE +/- 0.5mm U.O.S.	SIGNATURE	DATE	DRAWN	VIEW7	20/06/2009	CHK'D			APP'D			WFGHRT			DESIGN/REV			V77		
3RD ANGLE	DEBUR AND BEVEL MARK			CUSTOMER																							
GENERAL TOLERANCE +/- 0.5mm U.O.S.	SIGNATURE			DATE																							
DRAWN	VIEW7			20/06/2009																							
CHK'D																											
APP'D																											
WFGHRT																											
DESIGN/REV																											
V77																											
2																											
3																											
4																											
5	MATERIAL	Material <not specified>																									
6	QTY																										
7	TOT QTY																										
8	FINISH																										
9	VENDOR																										
10	FILE NAME	v774-44_MIZU 1550																									
11	WELDING	UOS ALL FABRICATIONS TO BE FULLY WELDED WITH CORRECT PREPARATION OF WELD SURFACES INCLUDING REVEALED EDGES ETC																									